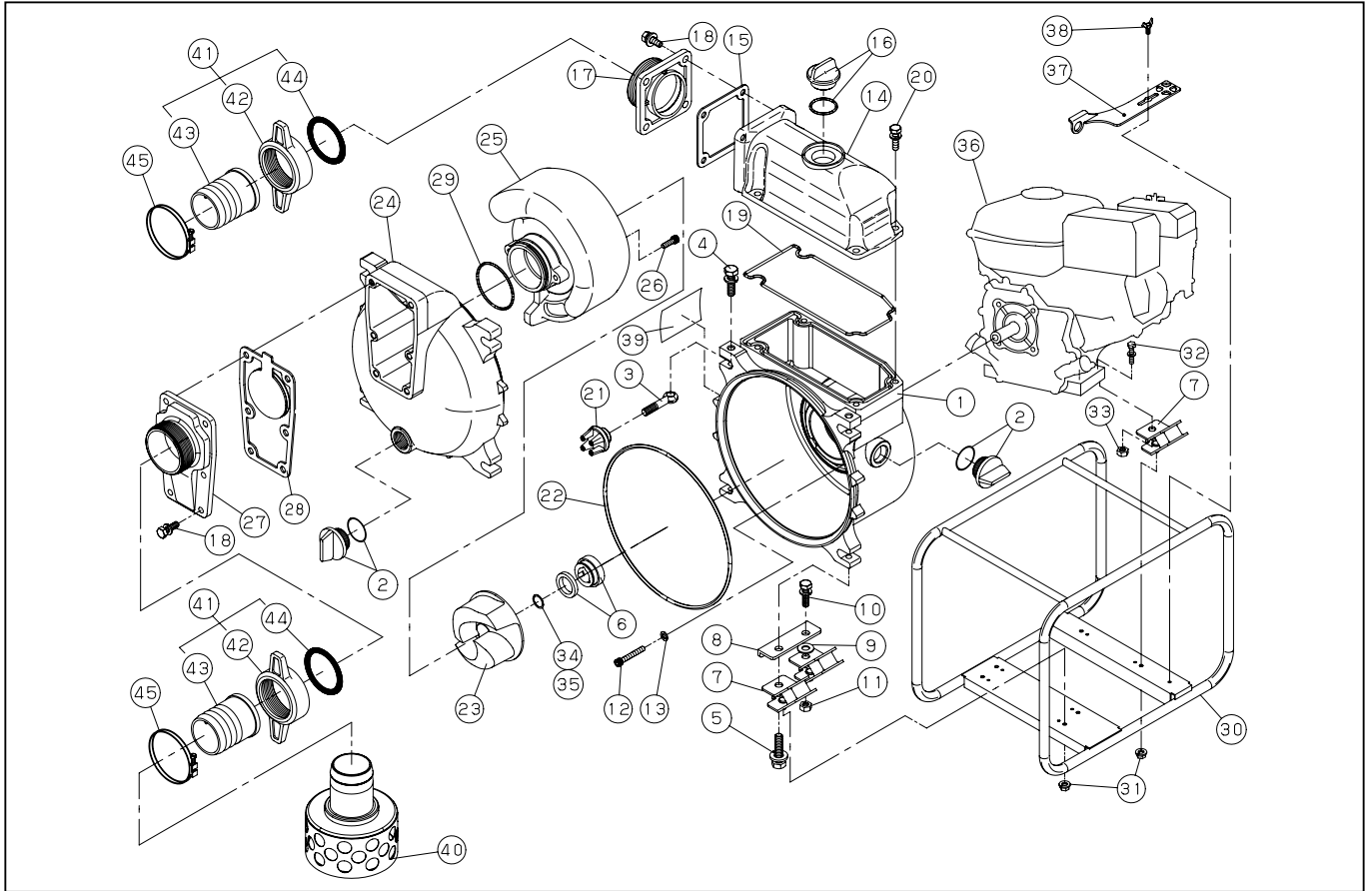


KTH-100X

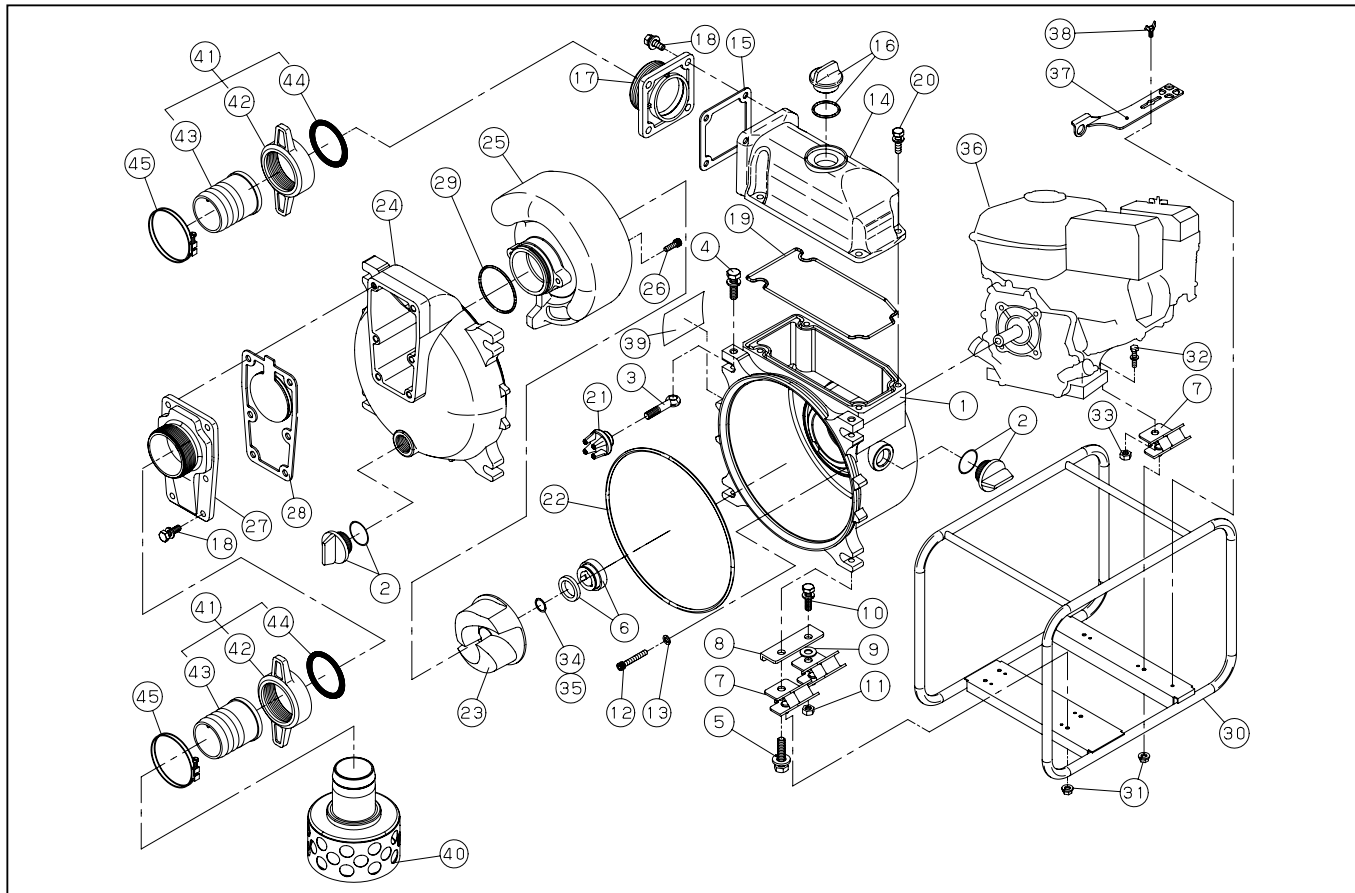


DWG No.012877804 MODEL:KTH-100X FORM:KTH-100X-BAF-0

No.	PARTS CODE	PARTS NAME	QTY	MATERIAL	SIZE	REMARKS
1	011615002	PUMP BODY	1	ADC		
2	011807901	25A PLUG SET	2			
3	011558001	COVER BOLT	4	S35C		
4	743119083	HEXAGON BOLT	2	SWRM	M12X45	
5	743119084	HEXAGON BOLT	2	SWRM	M12X50	
6	011567802	MECHANICAL SEAL	1	EH791-25 SICXSIC		
7	011617202	CUSHION RUBBER	6	CR		
8	011627301	RUBBER MOUNT	2	SPC	T4.5	
9	846211012	WASHER	2		12	
10	743119076	HEXAGON BOLT	2	SWRM	M12X25	
11	827419012	HEXAGON NUT	2	SWRM	M12	
12	011649201	HEXAGON SOCKET BOLT	4	SCM	M8X50	
13	011649302	WASHER	4	ALUMINIUM	φ 8	
14	011614801	DELIVERY HOUSING	1	ADC		
15	011075002	DELIVERY FLANGE PACKING	1	CR		
16	011845001	32A PLUG SET	1			
17	011618801	SUCTION FLANGE	1			
18	743119080	HEXAGON BOLT	10	SWRM	M12X35	
19	011554801	HEAD PACKING	1	NBR		
20	743119063	BOLT	4	SWRM	M10X30	
21	011559001	KNOB	4			
22	011557901	FRONT COVER PACKING	1	NBR		
23	011562602	IMPELLER	1	HRFC		
24	011649002	FRONT COVER(KOSHIN)	1	ADC		
25	011648801	VOLUTE CASING	1	FCD		
26	011641901	HEXAGON SOCKET BOLT	3	SUS	M8X35	
27	011626802	SUCTION FLANGE	1			
28	011826101	CHECK VALVE	1			
29	011627001	O-RING	1	NBR	φ 104.5X φ 3.5	
30	011770201	BASE SET	1			

◆ Bare engine can not be supplied

KTH-100X



DWG No.012877804 MODEL:KTH-100X FORM:KTH-100X-BAF-0

No.	PARTS CODE	PARTS NAME	QTY	MATERIAL	SIZE	REMARKS
31	842319008	SPRING NUT	6	SWRM	M8	
32	743119067	HEXAGON BOLT	2	SWRM	M10X40	
33	827419010	HEXAGON NUT	2	SWRM	M10	
34	011056102	ADJUSTING WASHER	1	BSP		
35	011640501	ADJUSTING WASHER	2	BSP		
36	011447903	HONDA ENGINE (WITH ALERT)	1	GX340 U1PKX2		
37	011620401	TOOL	1	SPC		
38	741305153	WING BOLT	1	SUS	M8X15	
39	011661402	NAME PLATE	1			
40	011097903	STRAINER	1	SPC		
41	011763901	COUPLING SET	2	AC		
42	011618901	COUPLING	2	AC		
43	011047103	HOSE NIPPLE	2	AC		
44	011147801	COUPLING PACKING	2	NBR		
45	940407120	HOSE BAND	3			
	011661501	PACKING CASE	1			
	011591103	OPERATION MANUAL (E)	1			
	011482009	DECLARATION	1			
	011471302	CAUTION LABEL	1			
	011471806	CE MARK LABEL	1			
	011641301	EU NOISE LABEL	1			

◆ Bare engine can not be supplied